

NKX35-XL

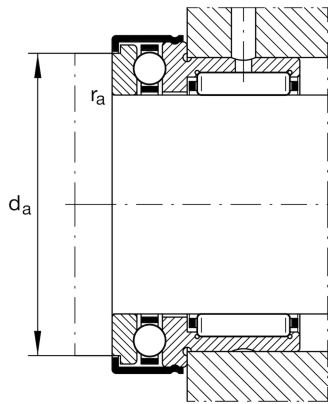
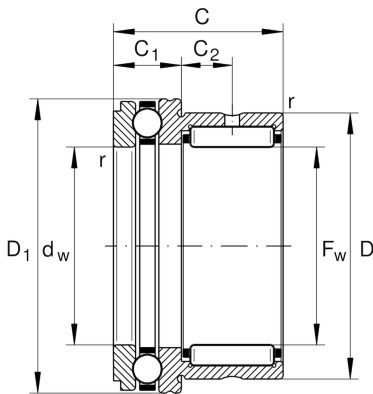
Needle roller/axial ball bearing

Schaeffler ID:
0506048210000

Needle roller/axial ball bearings NKX, axial component, single direction, to DIN 5429, without end cap, for oil lubrication

X-life

Technical information



Main Dimensions & Performance Data

| | | |
|----------|-------------|-----------------------------------|
| F_w | 35 mm | Bore diameter |
| D | 47 mm | Outside diameter |
| C | 30 mm | Height |
| C_r | 27,500 N | Basic dynamic load rating, radial |
| C_{0r} | 41,500 N | Basic static load rating, radial |
| C_a | 21,200 N | Basic dynamic load rating, axial |
| C_{0a} | 47,000 N | Basic static load rating, axial |
| C_{ur} | 7,400 N | Fatigue load limit, radial |
| C_{ua} | 2,340 N | Fatigue load limit, axial |
| n_G | 4,600 1/min | Limiting speed |
| | 157.76 g | Weight |

Dimensions

| | | |
|--------------|---------------|--------------------------------------|
| $D_{1 \max}$ | 52.1 mm | Maximum outside diameter flange |
| | IR30X35X20-XL | Suitable inner rings IR |
| $D_{2 \max}$ | 52.1 mm | Maximum outside diameter flange |
| C_1 | 12 mm | Width of the axial bearing component |
| C_1 | 9 mm | Distance to lubrication hole |
| C_2 | 9 mm | Distance to lubrication hole |
| d_w | 35 mm | Bore diameter of shaft washer |
| r_{\min} | 0.6 mm | Minimum chamfer dimension |

Mounting dimensions

| | | |
|--------------|---------|-----------------------------------|
| d_a | 47.7 mm | Mounting dimension shaft shoulder |
| $r_{a \max}$ | 0.6 mm | Maximum recess radius |

Temperature range

| | | |
|------------|--------|----------------------------|
| T_{\min} | -30 °C | Operating temperature min. |
| T_{\max} | 120 °C | Operating temperature max. |